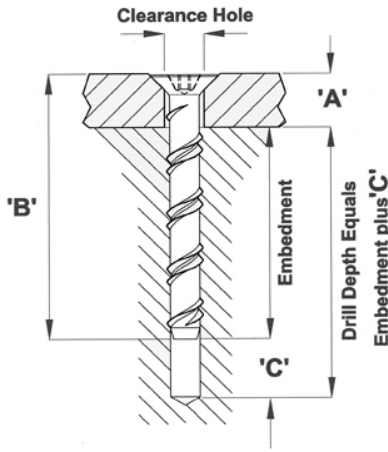


Tamperproof - Hexagon Drive Countersunk (HSA) 6mm

UPDATED: 29/01/2017



PLEASE NOTE

From time to time, materials and specifications are changed to improve performance, please check for the latest information.

For additional technical data please call the Sales Desk:

01702 206 962 / 01702 207 909

HSA 6mm Options

| Screwbolt Diameter | Head Diameter | Allen Key Size | Clearance Hole Diameter | Max Fixing Thickness 'A' | Thread Length 'B' | Clearance Depth 'C' | Box Quantity | Order code: |
|--------------------|---|----------------|-------------------------|--------------------------|-------------------|---------------------|--------------|--------------|
| 6mm | 16mm | 5mm | 7.5mm | 20mm | 50mm | 12 | 100 | HSA 06 / 050 |
| 6mm | 16mm | 5mm | 7.5mm | 35mm | 75mm | 12 | 100 | HSA 06 / 075 |
| 6mm | Plug For converting HSA & DSA Screwbolts into Tamperproof Anchors | | | | | | 100 | PL / 06 |

| Drill Bit Diameter | Concrete and Brick | 6.0mm |
|--------------------|--------------------|-------|
| | Soft Materials | 5.5mm |

HSA Ultimate & Safe Load Characteristics based on 3:1 Ratio

| Material | Embedment Depth (mm) | Tensile Load kN. | | Shear Load kN. | | Maximum Torque Nm. ** | Edge Distance (Reduction Factor) | |
|-------------|-----------------------|------------------|-------|----------------|-------|-----------------------|----------------------------------|------|
| | | Ultimate | Safe | Ultimate | Safe | | 30mm | 50mm |
| Concrete | 60 N/mm ² | 30 | 7.00 | 2.33 | - | - | 0.8 | 0.9 |
| | 60 N/mm ² | 45 | 13.00 | 4.33 | 14.50 | 4.83 | 0.8 | 0.9 |
| Concrete | 30 N/mm ² | 30 | 5.20 | 1.73 | - | - | 0.8 | 0.9 |
| | 30 N/mm ² | 45 | 11.50 | 3.83 | 14.50 | 4.83 | 0.8 | 0.9 |
| Engr. Brick | 100 N/mm ² | 45 | 14.30 | 4.77 | - | - | - | - |
| Semi.Engr. | 70 N/mm ² | 45 | 11.20 | 3.73 | - | - | - | - |
| Fletton | 20 N/mm ² | 45 | 7.10 | 2.37 | - | - | - | - |
| Butterly | 20 N/mm ² | 45 | 3.50 | 1.17 | - | - | - | - |
| Hemelite | 3.5 N/mm ² | 75 | 6.10 | 2.03 | - | - | 5 | - |
| Lignacite | 3.5 N/mm ² | 75 | 4.00 | 1.33 | - | - | 5 | - |
| Topcrete | 7.0 N/mm ² | 75 | 9.00 | 3.00 | - | - | 12 | - |

**With softer materials, care should be taken not to exceed the maximum recommended torque, as this may result in the de-grading of the matrix.

HSA 6mm Technical Data

| | |
|------------------------------|---|
| Material | Boron Steel BS3111/9/2.1.A |
| Finish | Mechanical Zinc as standard, or Zinc & Yellow passivated |
| Other finishes | Other platings & finishes are available to special order subject to quantity |
| Tensile strength | Case hardened |
| Other sizes | Other lengths of all diameters are available to special order subject to quantity |
| Embedment concrete and brick | Minimum recommended is 4.5 × bolt diameter |
| Soft block | Minimum recommended is 75mm |
| Edge distance | 10 × bolt diameter. Not affected by reduction factor |

HSA 6mm Countersunk Head Dimensions

| Screwbolt Size | Head Diameter - D | | Head depth - E nom. | Hex socket size - F | | Hex socket depth - G | | Radius - R nom. |
|----------------|-------------------|-------|---------------------|---------------------|------|----------------------|------|-----------------|
| | min. | max. | | min. | max. | min. | max. | |
| 6mm | 15.72 | 17.93 | 6 | 5.03 | 5.15 | 2.84 | - | 2 |

All dimensions in millimetres (mm)

