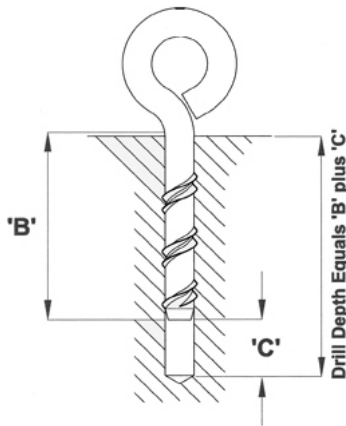


Eyebolt (EYB) 6mm

UPDATED: 29/01/2017



PLEASE NOTE

From time to time, materials and specifications are changed to improve performance, please check for the latest information.

For additional technical data please call the Sales Desk:

01702 206 962 / 01702 207 909

EYB 6mm Options

Eyebolt Diameter	Eyebolt Internal Diameter	Clearance Hole Diameter	Max Fixing Thickness	Thread Length 'B'	Clearance Depth 'C'	Box Quantity	Order code:
6mm	12mm	7.5mm	-	50	12	50	EYB 06 / 050

Drill Bit Diameter	Concrete and Brick	6.0mm
	Soft Materials	5.5mm

EYB Ultimate & Safe Load Characteristics based on 3:1 Ratio

Material	Embedment Depth (mm)	Tensile Load kN.		Shear Load kN.		Maximum Torque Nm. **	Edge Distance (Reduction Factor)	
		Ultimate	Safe	Ultimate	Safe		30mm	50mm
Concrete	60 N/mm ²	30	7.00	2.33	-	-	0.8	0.9
	60 N/mm ²	45	13.00	4.33	14.50	4.83	0.8	0.9
Concrete	30 N/mm ²	30	5.20	1.73	-	-	0.8	0.9
	30 N/mm ²	45	11.50	3.83	14.50	4.83	0.8	0.9
Engr. Brick	100 N/mm ²	45	14.30	4.77	-	-	-	-
Semi.Engr.	70 N/mm ²	45	11.20	3.73	-	-	-	-
Fletton	20 N/mm ²	45	7.10	2.37	-	-	-	-
Butterly	20 N/mm ²	45	3.50	1.17	-	-	-	-
Hemelite	3.5 N/mm ²	75	6.10	2.03	-	-	5	-
Lignacite	3.5 N/mm ²	75	4.00	1.33	-	-	5	-
Topcrete	7.0 N/mm ²	75	9.00	3.00	-	-	12	-

**With softer materials, care should be taken not to exceed the maximum recommended torque, as this may result in the de-grading of the matrix.

EYB 6mm Technical Data

Material	Boron Steel BS3111/9/2.1.A
Finish	Mechanical Zinc as standard, or Zinc & Yellow passivated
Other finishes	Other platings & finishes are available to special order subject to quantity
Tensile strength	800N/mm ² Case hardened
Other sizes	Other lengths of all diameters are available to special order subject to quantity
Embedment concrete and brick	Minimum recommended is 4.5 × bolt diameter
Soft block	Minimum recommended is 75mm

All dimensions in millimetres (mm)