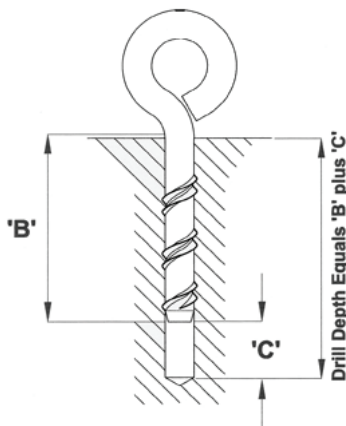


Eyebolt (EYB) 12mm

UPDATED: 29/01/2017



PLEASE NOTE

From time to time, materials and specifications are changed to improve performance, please check for the latest information.

For additional technical data please call the Sales Desk:

01702 206 962 / 01702 207 909

EYB 12mm Options

Eyebolt Diameter	Eyebolt Internal Diameter	Clearance Hole Diameter	Safe Load on eye 'X'	Max Fixing Thickness	Thread Length 'B'	Clearance Depth 'C'	Box Quantity	Order code:
12mm	22mm	15mm	16.39 kN	-	75	24	25	EYB 12 / 075

Drill Bit Diameter	Concrete and Brick	12.0mm
	Soft Materials	11.0mm

EYB Ultimate & Safe Load Characteristics based on 3:1 Ratio

Material		Embedment Depth (mm)	Tensile Load kN.		Shear Load kN.	
			Ultimate	Safe	Ultimate	Safe
Concrete	60 N/mm ²	60	38.70	12.90	-	-
	60 N/mm ²	90	69.00	23.00	59.80	19.93
Concrete	30 N/mm ²	60	26.50	8.83	-	-
	30 N/mm ²	90	43.00	14.33	59.80	19.93
Engr. Brick	100 N/mm ²	45	20.00	6.67	-	-
Semi.Engr.	70 N/mm ²	45	15.00	5.00	-	-
Fletton	20 N/mm ²	45	15.80	5.27	-	-
Butterly	20 N/mm ²	45	5.10	1.70	-	-
Hemelite	3.5 N/mm ²	75	12.10	4.03	-	-
Lignacite	3.5 N/mm ²	-	-	-	-	-
Topcrete	7.0 N/mm ²	75	18.9	6.3	-	-

EYB 12mm Technical Data

Material	Boron Steel BS3111/9/2.1.A
Finish	Mechanical Zinc as standard, or Zinc & Yellow passivated
Other finishes	Other platings & finishes are available to special order subject to quantity
Tensile strength	800N/mm ² Case hardened
Other sizes	Other lengths of all diameters are available to special order subject to quantity
Embedment concrete and brick	Minimum recommended is 4.5 × bolt diameter
Soft block	Minimum recommended is 75mm
Edge distance & spacings	For Edge distances between 5 dia. and 10 dia. see reduction factors

All dimensions in millimetres (mm)