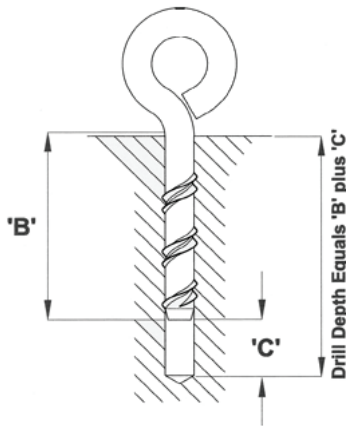


## Eyebolt (EYB) 10mm

UPDATED: 29/01/2017



**PLEASE NOTE**

From time to time, materials and specifications are changed to improve performance, please check for the latest information.

For additional technical data please call the Sales Desk:

**01702 206 962 / 01702 207 909**

### EYB 10mm Options

Eyebolt Diameter	Eyebolt Internal Diameter	Clearance Hole Diameter	Max Thread Thickness	Thread Length 'B'	Clearance Depth 'C'	Box Quantity	Order code:
10mm	18mm	12mm	-	80	20	25	EYB 10 / 80

Drill Bit Diameter	Concrete and Brick	10.0mm
	Soft Materials	9.0mm

### EYB Ultimate & Safe Load Characteristics based on 3:1 Ratio

Material		Embedment Depth (mm)	Tensile Load kN.		Shear Load kN.	
			Ultimate	Safe	Ultimate	Safe
Concrete	60 N/mm <sup>2</sup>	50	29.00	9.67	-	-
	60 N/mm <sup>2</sup>	75	48.00	16.00	46.00	15.33
Concrete	30 N/mm <sup>2</sup>	50	18.80	6.27	-	-
	30 N/mm <sup>2</sup>	75	33.40	11.13	46.00	15.33
Engr. Brick	100 N/mm <sup>2</sup>	45	20.00	6.67	-	-
Semi.Engr.	70 N/mm <sup>2</sup>	45	14.20	4.73	-	-
Fletton	20 N/mm <sup>2</sup>	45	11.60	3.87	-	-
Butterly	20 N/mm <sup>2</sup>	45	3.90	1.30	-	-
Hemelite	3.5 N/mm <sup>2</sup>	75	10.60	3.53	-	-
Lignacite	3.5 N/mm <sup>2</sup>	75	9.00	3.00	-	-
Topcrete	7.0 N/mm <sup>2</sup>	75	14.00	4.67	-	-

### EYB 10mm Technical Data

Material	Boron Steel BS3111/9/2.1.A
Finish	Mechanical Zinc as standard, or Zinc & Yellow passivated
Other finishes	Other platings & finishes are available to special order subject to quantity
Tensile strength	800N/mm <sup>2</sup> Case hardened
Other sizes	Other lengths of all diameters are available to special order subject to quantity
Embedment concrete and brick	Minimum recommended is 4.5 × bolt diameter
Soft block	Minimum recommended is 75mm
Edge distance & spacings	For Edge distances between 5 dia. and 10 dia. see reduction factors

All dimensions in millimetres (mm)